

Couplers

7/16 DIN HIGH POWER DIRECTIONAL COUPLERS FOR Tx AND CDPD REQUIREMENTS

- Dual Directional Models
- High Power, 500W CW Rating into All Load Conditions
- Excellent Directivity for Precise Power and Spectrum Analysis Requirement
- System Transparent - Low VSWR, Low Insertion Loss
- Extremely Low Frequency Sensitivity
- Low IM Product Designs
- AMPS, GSM, TDMA, CDMA, CDPD Inline, Systems Applications
- Other Connector Types Available on Special Order

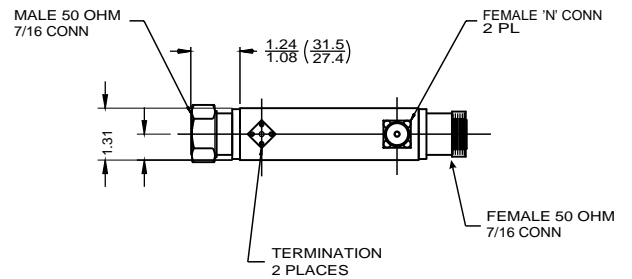
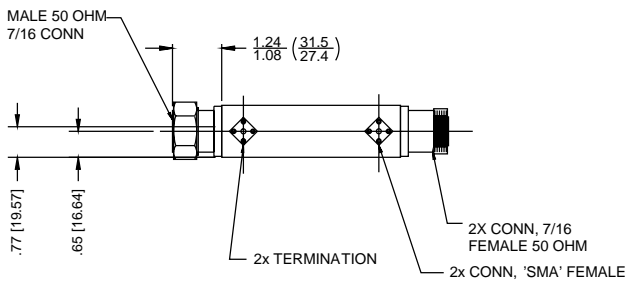
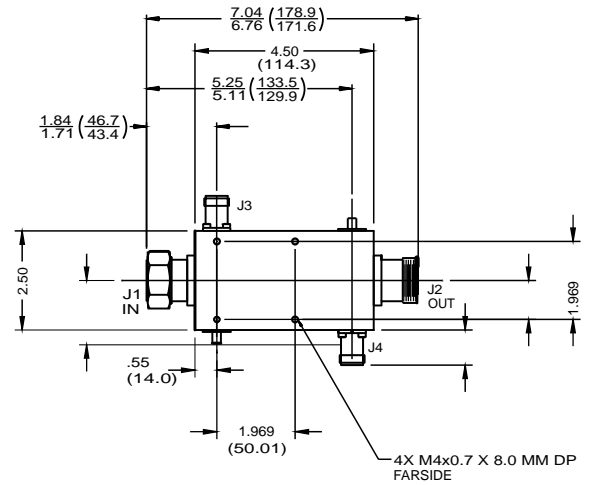
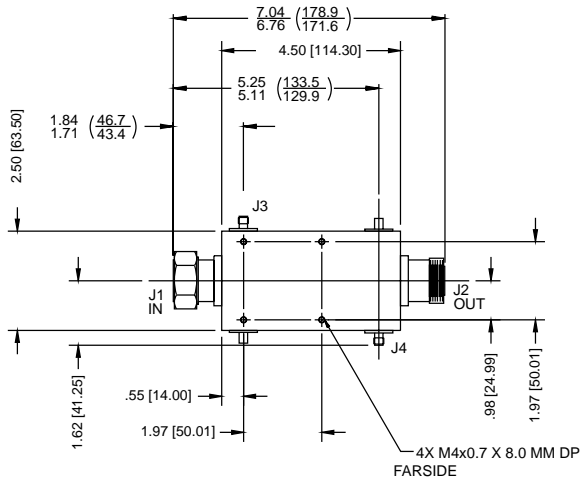


SPECIFICATIONS

Dual Directional Types – High Power Tx Applications

FREQ RANGE (MHz)	MODEL NO.	NOMINAL COUPLING (dB)	DIRECTIVITY dB (Min)	INSERTION LOSS dB (Max)	VSWR		FREQ. SENSITIVITY dB (Max)	POWER		CONNECTORS		WEIGHT Kg (Max)
					PRIMARY LINE (Max)	SECONDARY LINE (Max)		AVERAGE (Max)	PEAK (Max)	MAIN LINE	BRANCH LINE	
820-980	30900	30 ±.75	30	0.25	1.07:1	1.20:1	±0.25	500W	10 kW	7/16	N	1.3
820-980	30700	30 ±.75	30	0.25	1.07:1	1.20:1	±0.25	500W	5 kW	7/16	SMA	1.2

Couplers



30700

30900